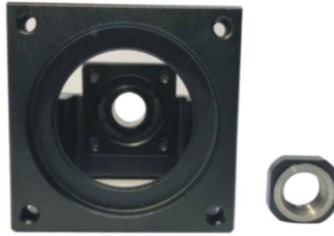
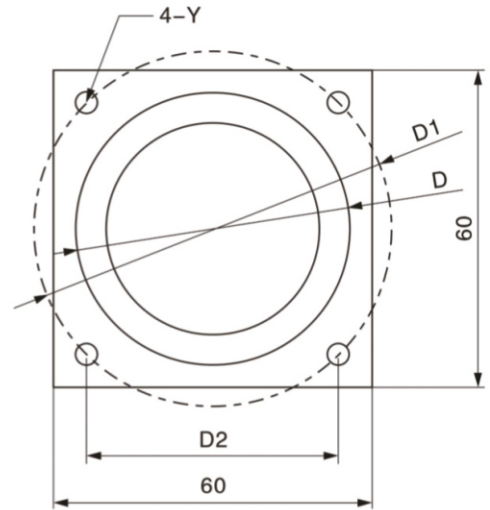
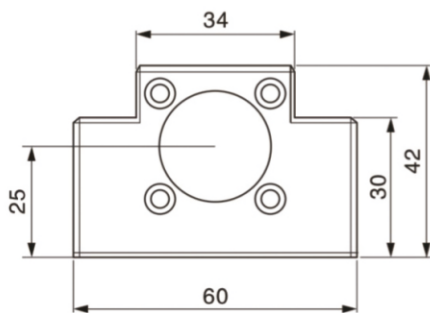
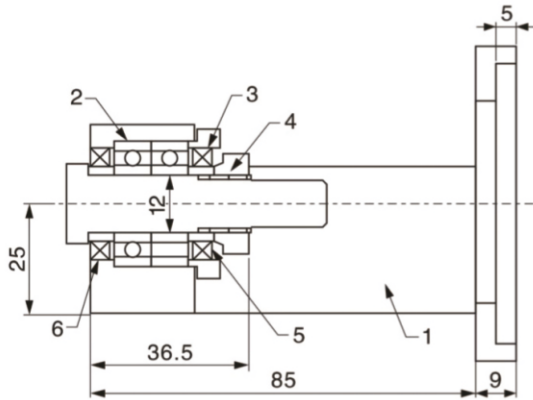
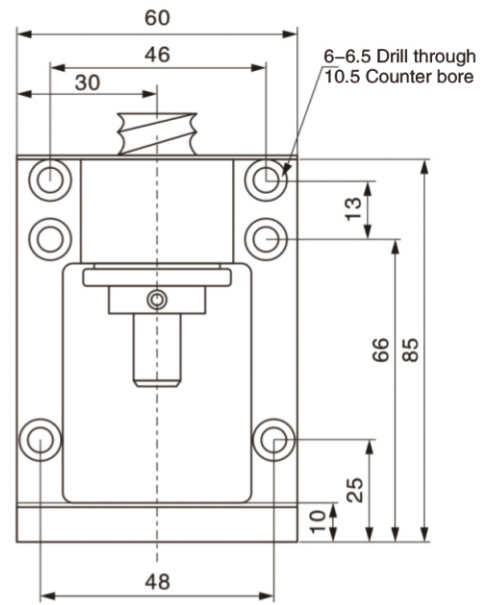


Ball Screw Motor Connection Bracket BC12ZC/AC-57/60 Transmission Seat



Picture 2



Model No.	Y	D	D1	D2	Fixed End
BC12ZC/AC-57	M5	38	-	47.14	BK12
BC12ZC/AC-60	M5	50	70	-	BK12

BC12ZC/AC-57/60 Transmission Seat			
Item	Parts Name	Materials	Quantity
1	Mian Structure of Transmission Seat	6063-T6	1
S2	Bearing 6001ZC/7001AC	Gcr15	2
3	Plate	S45C	1
4	Lock Nut	S45C	1
5	Washer	S45C	2
6	Seal Ring	Rubber	2