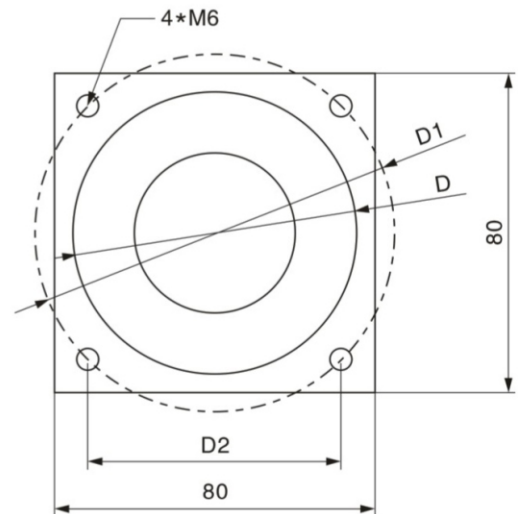
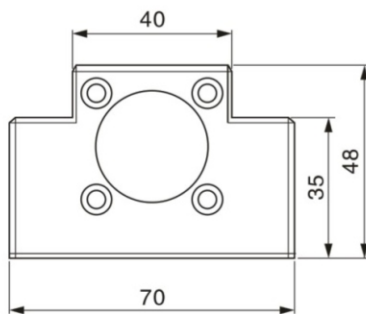
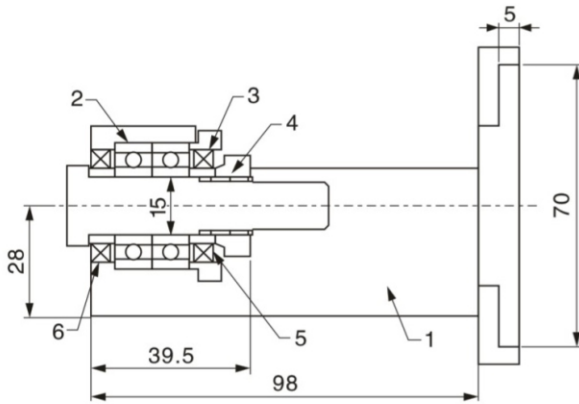
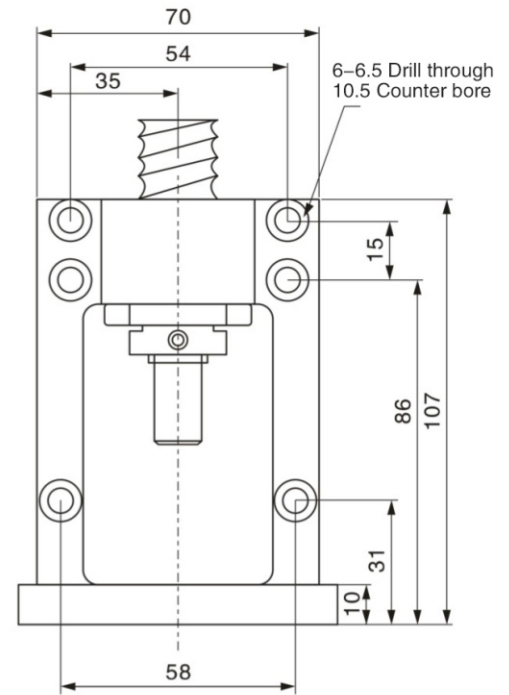


## Ball Screw Motor Connection Bracket BC15ZC/AC-80/86 Transmission Seat



Picture 2



Model No.	D	D1	D2	Fixed End
BC15ZC/AC-80	70	90	-	BK15
BC15ZC/AC-86	73	-	69.6	BK15

BC15ZC/AC-80/86 Transmission Seat			
Item	Parts Name	Materials	Quantity
1	Main Structure of Transmission Seat	6063-T6	1
2	Bearing 6002ZC/7002AC	Gcr15	2
3	Plate	S45C	1
4	Lock Nut	S45C	1
5	Washer	S45C	2
6	Seal Ring	Rubber	2