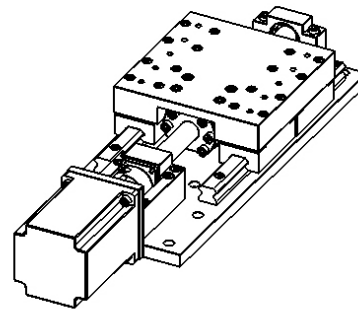
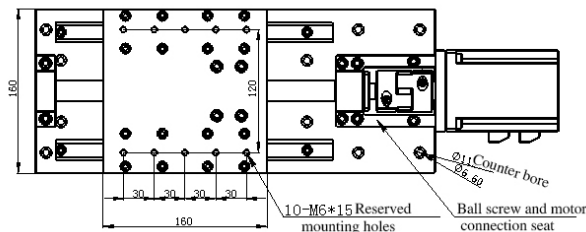
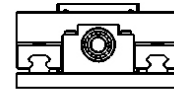
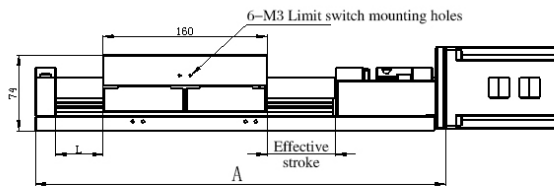
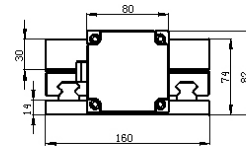
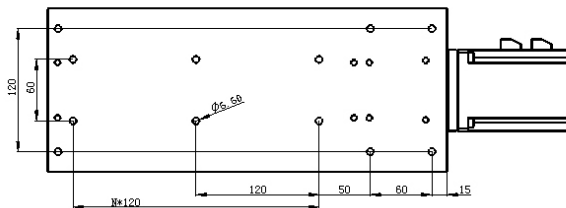


# GY-HGHS160K



GY-HGHS160K Primary Configuration/Parameters

Adaptation Motor	80/86 stepping motor , 200W/400W/750W Servo			
Linear Guideway	HGR20*2 HGHS20*4			
Ball Screw	Φ 20-C7			
Repeatable Positioning Accuracy ( mm )	± 0.03			
Lead Screw ( mm )	5	10	20	
Max Speed ( mm/s )	250	500	1000	
Maximum Handling Weight ( Kg )	Horizontal	200	100	60
	Vertical	50	25	20
Stroke Range ( mm )	100-1800			



Effective stroke(mm)	100	200	300	400	500	600	700	800	900	1000	1100	1200	1300	1400	1500	1600	1700	1800
A ( mm )	400	500	600	700	800	900	1000	1100	1200	1300	1400	1500	1600	1700	1800	1900	2000	2100
Weight(Kg)																		