

## LMEF...UU/LMEK..UU

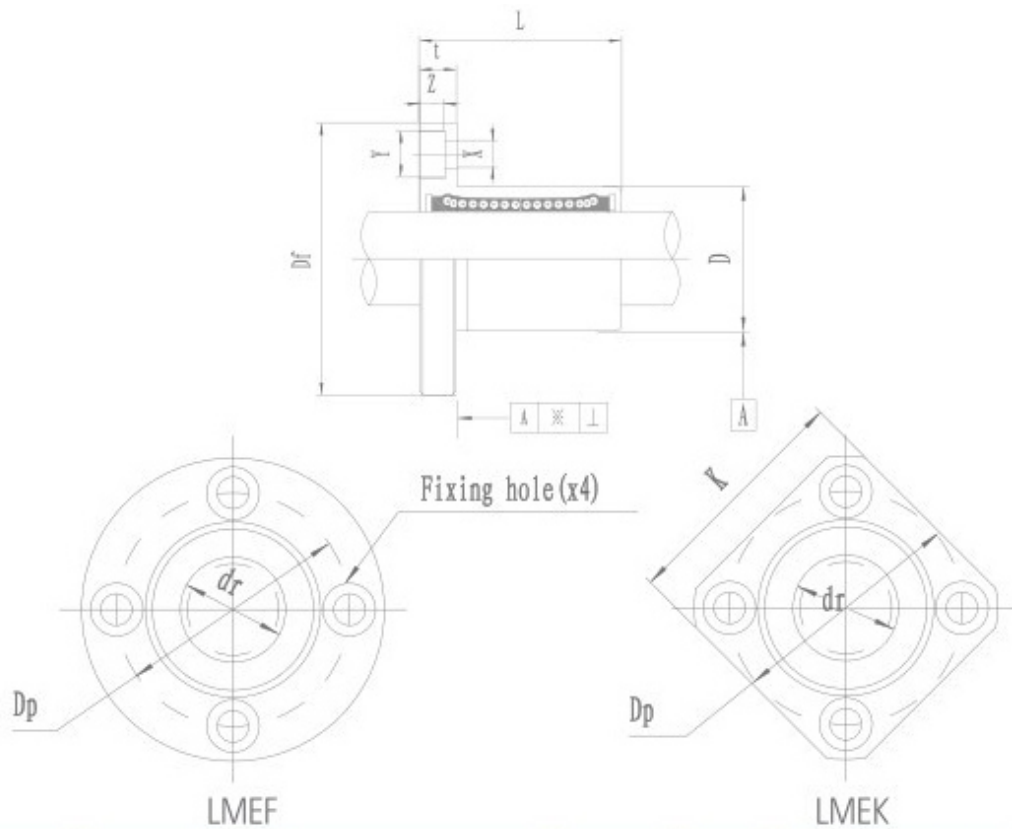


LMEF



LMEK

Nominal Shaft Diameter (mm)	Model No.		Weight (g)	Major Dimensions and Tolerance						
	Bearing Steel Type	Stainless Steel Type		dr		D		Df	L	
	LMEF (K) ...UU	LMESF (K) ...UU		mm	Tolerance (μm)	mm	Tolerance (μm)	mm	mm	Tolerance (μm)
8	LMEF8-UU LMEK8-UU	LMESF8-UU LMESK8-UU	41 33	8	+80	16	0-13	32	25	±300
12	LMEF12-UU LMEK12-UU	LMESF12-UU LMESK12-UU	80 64	12	+80	22	0-16	42	32	±300
16	LMEF16-UU LMEK16-UU	LMESF16-UU LMESK16-UU	103 90	16	+9-1	26	0-16	45	36	±300
20	LMEF20-UU LMEK20-UU	LMESF20-UU LMESK20-UU	182 147	20	+9-1	32	0-19	54	45	±300
25	LMEF25-UU LMEK25-UU	LMESF25-UU LMESK25-UU	335 295	25	+11-1	40	0-19	62	58	±300
30	LMEF30-UU LMFK30-UU	LMESF30-UU LMESK30-UU	560 465	30	+11-1	47	0-19	76	68	±300
40	LMEF40-UU LMEK40-UU	LMESF40-UU LMESK40-UU	1175 975	40	+13-2	62	0-22	98	80	±300
50	LMEF50-UU LMEK50-UU	LMESF50-UU LMESK50-UU	1745 1545	50	+13-2	75	0-22	112	100	±300
60	LMEF60-UU LMEK60-UU	LMESF60-UU LMESK60-UU	3220 2780	60	+13-2	90	0-25	134	125	±300
80	LMEF80-UU LMEK80-UU	-	6420 5920	80	+16-4	120	0-25	164	165	±300



Model No.		Major Dimensions and Tolerance						Eccentricity ( $\mu\text{m}$ )	Squareness ( $\mu\text{m}$ )	Basic Load Rating		Nominal Shaft Diameter (mm)
Bearing Steel Type	Stainless Steel Type	Flange								Dynamic (CN)	Static (CoN)	
LMEF (K)...UU	LMESF (K)...UU	K mm	t mm	Dp mm	X mm	Y mm	Z mm					
LMEF8-UU LMEK8-UU	LMESF8-UU LMESK8-UU	25	5	24	3.5	6	3.1	12	12	265	402	8
LMEF12-UU LMEK12-UU	LMESF12-UU LMESK12-UU	32	6	32	4.5	7.5	4.1	12	12	510	784	12
LMEF16-UU LMEK16-UU	LMESF16-UU LMESK16-UU	35	6	36	4.5	7.5	4.1	12	12	578	892	16
LMEF20-UU LMEK20-UU	LMESF20-UU LMESK20-UU	42	8	43	5.5	9	5.1	12	12	862	1370	20
LMEF25-UU LMEK25-UU	LMESF25-UU LMESK25-UU	50	8	51	5.5	9	5.1	15	15	980	1570	25
LMEF30-UU LMEK30-UU	LMESF30-UU LMESK30-UU	60	10	62	6.6	11	6.1	15	15	1570	2740	30
LMEF40-UU LMEK40-UU	LMESF40-UU LMESK40-UU	75	13	80	9	14	8.1	15	15	2160	4020	40
LMEF50-UU LMEK50-UU	LMESF50-UU LMESK50-UU	88	13	94	9	14	8.1	17	17	3820	7940	50
LMEF60-UU LMEK60-UU	LMESF60-UU LMESK60-UU	106	18	112	11	17	11.1	17	17	4700	9800	60
LMEF80-UU LMEK80-UU	-	136	18	142	11	17	11.1	20	20	7350	16000	80