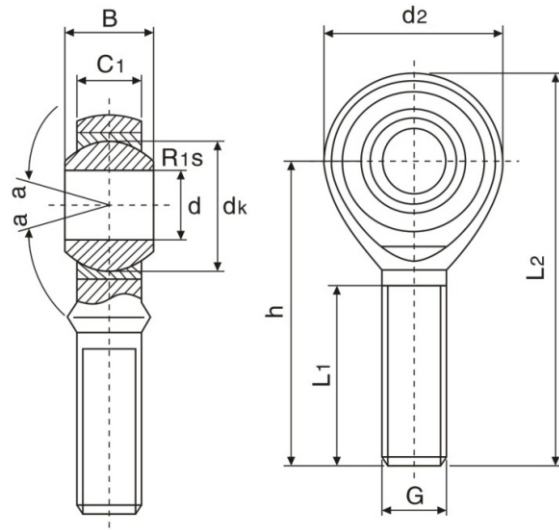


Self-lubricating Rod End Bearings Male Thread Steel on Ptee-metallic Fabric Maintenance Free Series SA...T/K



Model No.	Dimensions (mm)											Load Ratings		Weight ≈kg
	d	B	dk	C1 max	d2 max	G 6H	h	L1 min	L2 max	R1s min	a° ≈	Dynamic	Static	
SA5T/K	5	8	11.11	6	18	M5x0.8	33	19	42	0.3	13	5.7	6.00	0.013
SA6T/K	6	9	12.70	6.75	20	M6x1.0	36	21	46	0.3	13	7.2	7.65	0.02
SA8T/K	8	12	15.875	9	24	M8x1.25	42	25	54	0.3	14	11.6	12.9	0.038
SA10T/K	10	14	19.05	10.5	28	M10x1.5	48	28	62	0.3	13	14.5	18.0	0.055
SA12T/K	12	16	22.225	12	32	M12x1.75	54	32	70	0.3	13	17.0	24.0	0.85
SA14T/K	14	19	25.40	13.5	36	M14x2.0	60	36	78	0.3	16	24.0	31.0	0.14
SA16T/K	16	21	28.575	15	40	M16x2.0	66	37	87	0.3	15	28.5	39.0	0.21
SA18T/K	18	23	31.75	16.5	44	M18x1.5	72	41	94	0.3	15	42.5	47.5	0.29
SA20T/K	20	25	34.925	18	50	M20x1.5	78	45	103	0.3	14	42.5	57.0	0.38
SA22T/K	22	28	38.10	20	54	M22x1.5	84	48	111	0.3	15	57.0	68.0	0.48
SA25T/K	25	31	42.85	22	60	M24x2	94	55	124	0.3	15	68.0	85.0	0.64
SA28T/K	28	35	47.60	24	66	M27x2	103	62	136	0.3	15	86.0	107.0	0.8
SA30T/K	30	37	50.80	25	70	M30x2	110	66	145	0.3	17	88.0	114.0	1.1
SA35T/K	35	43	57.10	28	81	M36x3	140	85	180.5	0.3	16	101	206	1.64
SA40T/K	40	49	66.60	33	91	M42x2	150	90	195.5	0.3	17	124	280	2.3
SA50T/K	50	60	82.50	45	117	M48x2	185	105	243.5	0.3	12	308	485	4.8

- Dimensions in mm.

-For left-hand thread, suffix "L" is added to bearing number and thread sign, e.g. SAL20T/K.

-Design and application features: Rod end of steel and zinc coated, with male or female thread; outer ring of bronze, with sliding surface of PTFE composit material, maintenance-free; inner ring of carbon chromium steel, spherical surface with chromium plating, It has characteristics of large load capability, easy mounting and dismounting and mechanism simplification.